

# HS 254 High-Current Probe up to 16 A

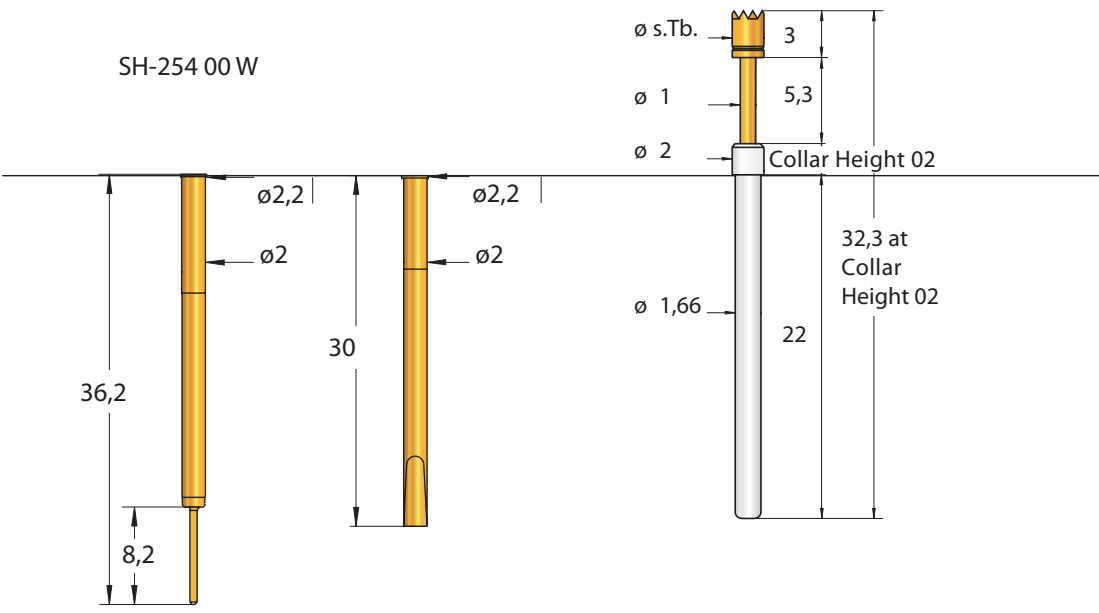
Grid 2,54  
Spring travel 5,30 mm

## Technical Data

Minimum grid distance:	2,54 mm
Maximum spring travel:	5,30 mm
Recommended lifting height:	80%
Spring force at 4/5 spring travel:	0,8 / 1,5 / 2,25 N
E-value (collar height) defines the installation height	2 - 10 mm
Rated current:	16 A
Contact resistance:	<10 mΩ
Pin housing:	Brass, gold-plated
Barrel:	Brass, gold-plated
Spring:	Steel, gold-plated or Stainless Steel
Piston:	BeCu or Steel, gold-plated

### Receptacles

SH-254 00 W



### \* Spacers to vary the installation Height

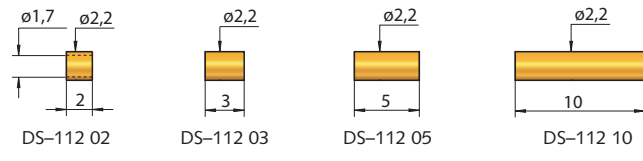


Figure	Type	∅(mm)	Electro- plating
	FL	1,00	A
	IK	2,00	A
	RD	0,65 0,80 1,00	A
	RI	1,30 1,60 2,00 2,50 3,50	A A A A A
	KR	1,30	A
	SK	1,75 2,00	A A

Alternative Head shapes are available.

### Sample Order:

Series	Head Shape	∅ Head	Electroplating	Lifting Height	Spring Pin	Collar Height
FS 254	FL	20	A	50	15	10

